

For Heavy Duty Machines,Ship Diesels and generators Oil Coolers



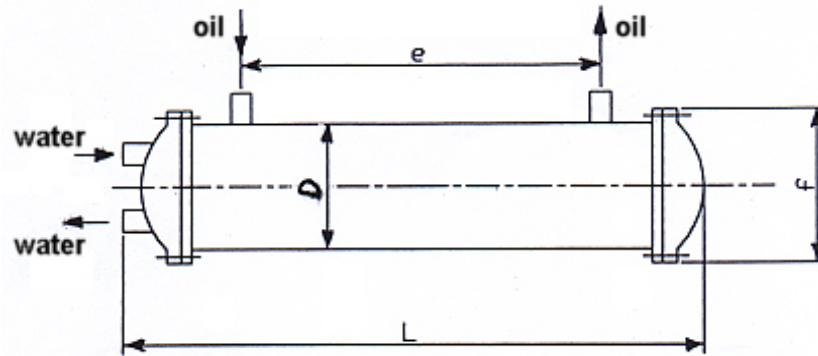
- **Shell & Tube Type Heat Exchangers**
- **Water Coolers by Sea water**
- **Sea Type Oil Coolers**
- **Tube Core (Bundl type) Oil Coolers**
- **Radiator Type Oil Radiators by Air**

Commercial Contach

Mr. Dr.Nusret Parıldar

Misan Makina San.Ltd.Sti.
Organize San.Böl.Metal iş san sit.
19 bl.No:33 34670 İkitelli - İstanbul
Tel : 0212 5496952 - 53 - 54
Fax :0212 54969

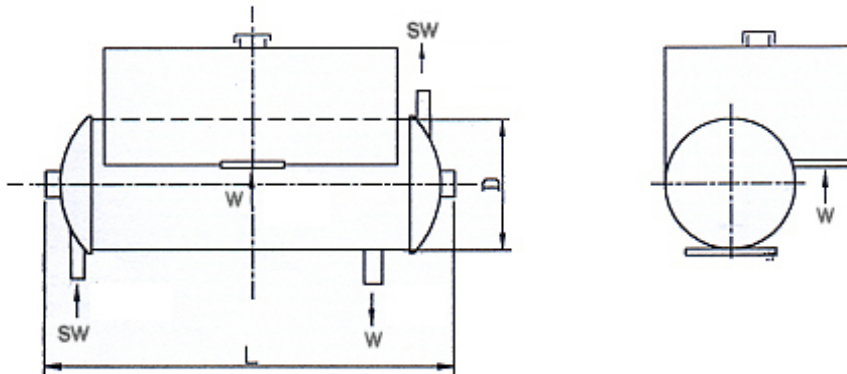
SHELL & TUBE TYPE HEAT EXCHANGERS



DIMENSION TABLE						
MİSAN TYP	Oil d	Water d	D mm	f mm	e mm	L mm
55 / 22	3/4"	1/2"	89	140	300	500
150 / 60	1"	3/4"	114	165	390	600
300 / 100	1 1/4"	3/4"	114	165	500	740
450 / 150	1 1/2"	1"	140	190	500	750
750 / 250	2"	1 1/2"	165	222	510	800
1500 / 500	2 1/2"	2"	200	255	600	900

CAPACITY TABLE				
MİSAN TYP	AREA m ²	CAPACITY kcal/h	OIL lt/min.	WATER m ³ /h
55 / 22	0.29	5200	43	1.04
150 / 60	0.52	9400	78	1.88
300 / 100	0.64	11500	96	2.3
450 / 150	1.07	19200	160	3.84
750 / 250	1.97	35500	296	7.1
1500 / 500	3.02	50000	400	10

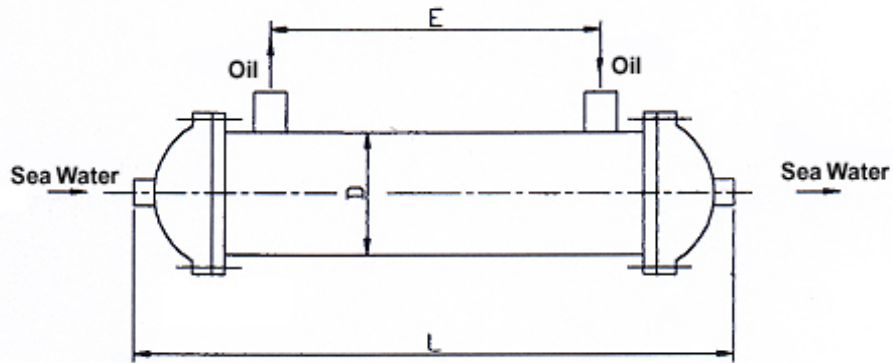
WATER COOLERS BY SEA WATER



"PM" NO	MOTOR (HP)	D mm	L mm	SW mm	W R"	TUBE BUNDLE		
						Diam. D mm	Length L mm	Area m ²
PM D3	30 - 50	114	400	27	1 ½"	106	288	0.60
PM D4	50 - 100	114	420	27	1 ½"	106	376	0.81
PM D5	100 - 160	127	560	44	1 ½"	117	460	1.04
PM D6	160 - 220	140	690	48	2"	129	514	1.53
PM D7	220 - 350	165	775	60	2"	155	550	2.35
PM D8	350 - 500	165	915	60	2"	155	690	2.98
PM D9	500 - 700	194	990	75	2 ½"	182	650	4.03
PM D10	700 - 1000	194	1190	75	2 ½"	182	800	5.03

NOTE : Various kinds of private coolers with specific dimensions can also be produced.

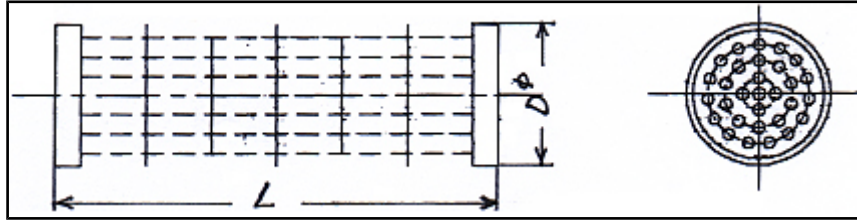
SEA TYPE OIL COOLERS



TYP	MOTOR POWER (HP)	D mm	L mm	E mm	OIL IN R"	WATER IN mm	TUBE CORE		COOLING AREA m ²
							Diam. D mm	Length L mm	
DY1	50 -100	90	290	130	3/4" UNF	33	76	200	0.21
DY2	100 - 150	90	370	210	3/4" UNF	33	76	280	0.31
DY3	150-300	114	430	180	R 1"	40	106	288	0.60
DY4	300-400	114	520	270	R 1"	40	106	376	0.81
DY5	400-500	127	630	340	R 1 1/4"	45	117	460	1.04
DY6	500-750	140	690	390	R 1 1/4"	50	129	514	1.53
DY7	750-1100	165	776	410	R 1 1/2"	55	155	550	2.35
DY8	1100-1400	165	915	550	R 1 1/2"	55	155	690	2.98
DY9	1400-1900	194	845	490	R 2"	60	182	650	4.03
DY10	1900-2400	194	995	640	R 2"	60	182	800	5.03

NOT : Various kinds of private coolers with specific dimensions can also be produced.

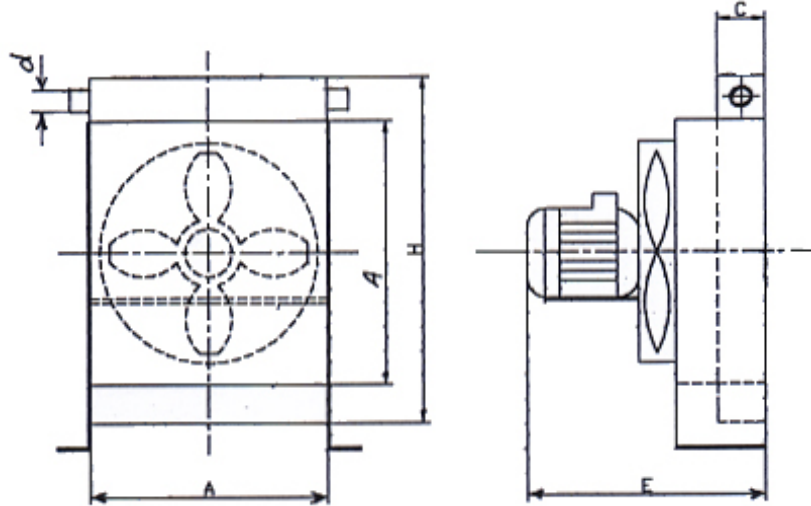
TUBE CORE (BUNDL TYP) OIL COOLERS



CORE		TUBES		
DIA mm	LENGTH mm	DIAM. mm	QNY.	AREA m ²
76	140	8x1	37	0.11
76	140	1/4 x 0.50	61	0.14
76	200	8x1	37	0.16
76	200	1/4 x 0.50	61	0.21
76	280	8x1	37	0.24
76	280	1/4 x 0.50	61	0.31
106	288	8x1	75	0.50
106	288	1/4 x 0.50	114	0.60
106	376	8x1	75	0.67
106	376	1/4 x 0.50	114	0.81
117	460	1/4 x 0.50	120	1.04
129	514	"	158	1.53
155	550	"	226	2.35
155	690	"	226	2.98
182	650	"	331	4.03
182	800	"	331	5.03
95	505	"	91	0.87

101.5	111.5	"	108	0.18
101.5	165	"	108	0.32
105	454	"	114	0.96
112.4	400	"	122	0.92
114	236	"	127	0.54
114	377	"	120	0.82
114	385	"	120	0.86
114	506	"	120	1.14
117	750	"	120	1.72
126.5	321.5	"	172	1.03
126.5	405.5	"	172	1.34
126.5	527	"	172	1.72
145.5	376	"	218	1.50
152.5	140	"	266	0.65
154	600	8 x 0.70	152	2.17
155	350	"	146	1.17
155	466	"	146	1.61
176	820	1/4 x 0.50	236	3.68
177	650	"	331	4.03
177.6	500	8 x 0.50	172	2.00
193.6	700	"	278	4.74
198	730	"	248	4.31
200	520	"	224	2.70

AIR - OIL RADIATORS



TYP	DIMENSIONS (mm)				OIL d"	MOTOR POWER (kw)	FAN mm	AREA m ²	CAPACITY	
	A	C	H	E					lt / min.	kcal / h
E3	320	72	420	450	1"	0.18	270	2.6	50	3600
E5	350	72	460	490	1"	0.25	300	3.1	65	4700
E10	406	100	530	530	1 ¼"	0.55	350	5.3	100	8500
E15	475	100	610	575	1 ½"	0.75	400	7.4	120	10.000
E20	567	100	700	630	1 ½"	1.1	450	10.6	140	12.000
E30	614	124	760	700	2"	1.5	500	15.1	180	17.000
E40	710	124	870	750	2"	2.2	550	20.3	210	20.000
E50	806	124	1030	800	2 ½"	3.0	600	26.3	240	23.000
E60	938	124	1120	850	2 ½"	4.0	700	35.2	280	31.000

- Power of Oil Radiators are stated above is threephase current and 1400 r/p.m.
- It can be installed 12 or 24 volt direct current if wanted.
- For this table T oil in=60 C; ambience Tamb=25 C are assumed.